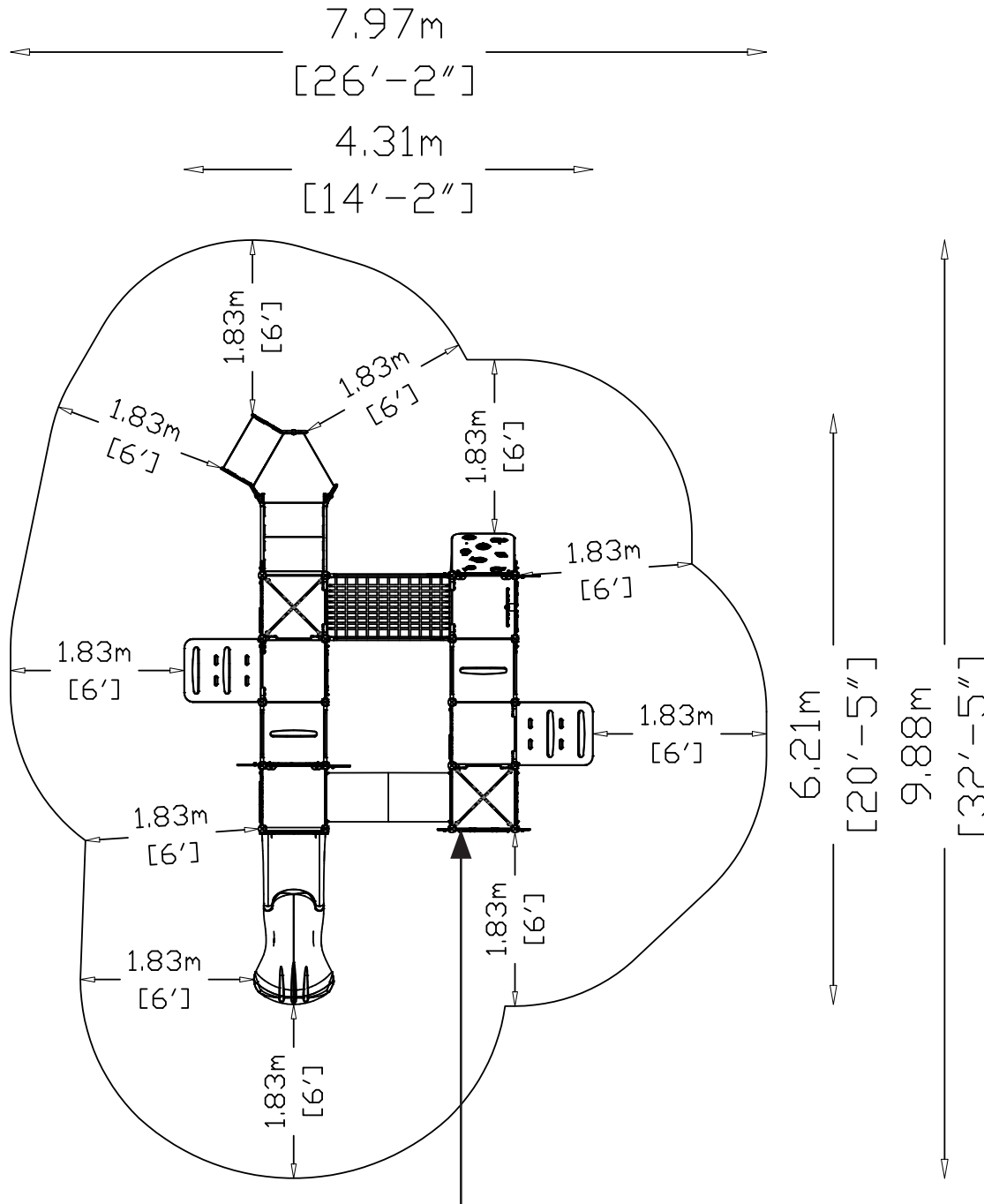


ASTM F1487



**INSTALL
101**

<p>WARNING Playground equipment should not be used as a structure, support or padding, and may cause serious injury or death. Do not use for purposes other than intended. Inspect before allowing children to play.</p> <p>WARNING Children are required to use only one surface taught on slides and other playground equipment. Before allowing children to play, remove debris, sticks, rocks, twigs, holes, nails, metal shavings, and debris accumulated through the structure. Also, remove any foreign objects, sharp or other items that may be in or on equipment.</p> <p>WARNING All playground equipment and rubber surfacing must be inspected for proper fitting. Check for hot surfaces before allowing children to play. Children should wear appropriate shoes at all times.</p> <p>WARNING Playing high or moving on or under playground equipment can lead to serious injury from falls, collisions, and head strikes. Do not use equipment for purposes not intended. The structure while playing and be used.</p>	<p>play smart® rules</p> <ul style="list-style-type: none"> ✓ Do not play on broken or damaged equipment. Report it. ✓ Do not play without adequate safety training and proper equipment. ✓ No talking, roughness or shoving should be seen while on equipment. ✓ Do not play on or run on playground equipment and its structure off of equipment. ✓ Wash your hand. Do not run, climb, swing, slide, rotate, or swing. ✓ Do not play on swings or any equipment. ✓ Do not slide on metal, concrete, or asphalt. ✓ Do not play on trees or through trees. ✓ Do not drink or eat while playing. ✓ Slide sitting down, feet first, and one at a time. Do not slide up slides or ladders. ✓ Adults - do not slide with a child on your lap. It can injure your child's legs. ✓ Before letting go of overhead bars, hand grips will hand your hands a little and slip straight down with both feet. ✓ Before sitting down and do not jump or slide swinging. Do not have other children on the swing.
--	--

**INSTALL
101**

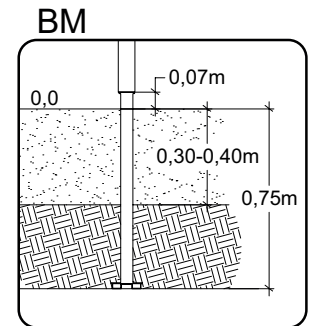
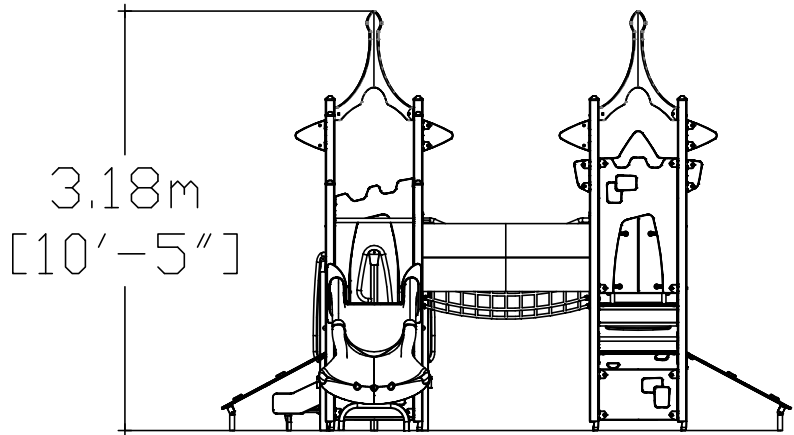
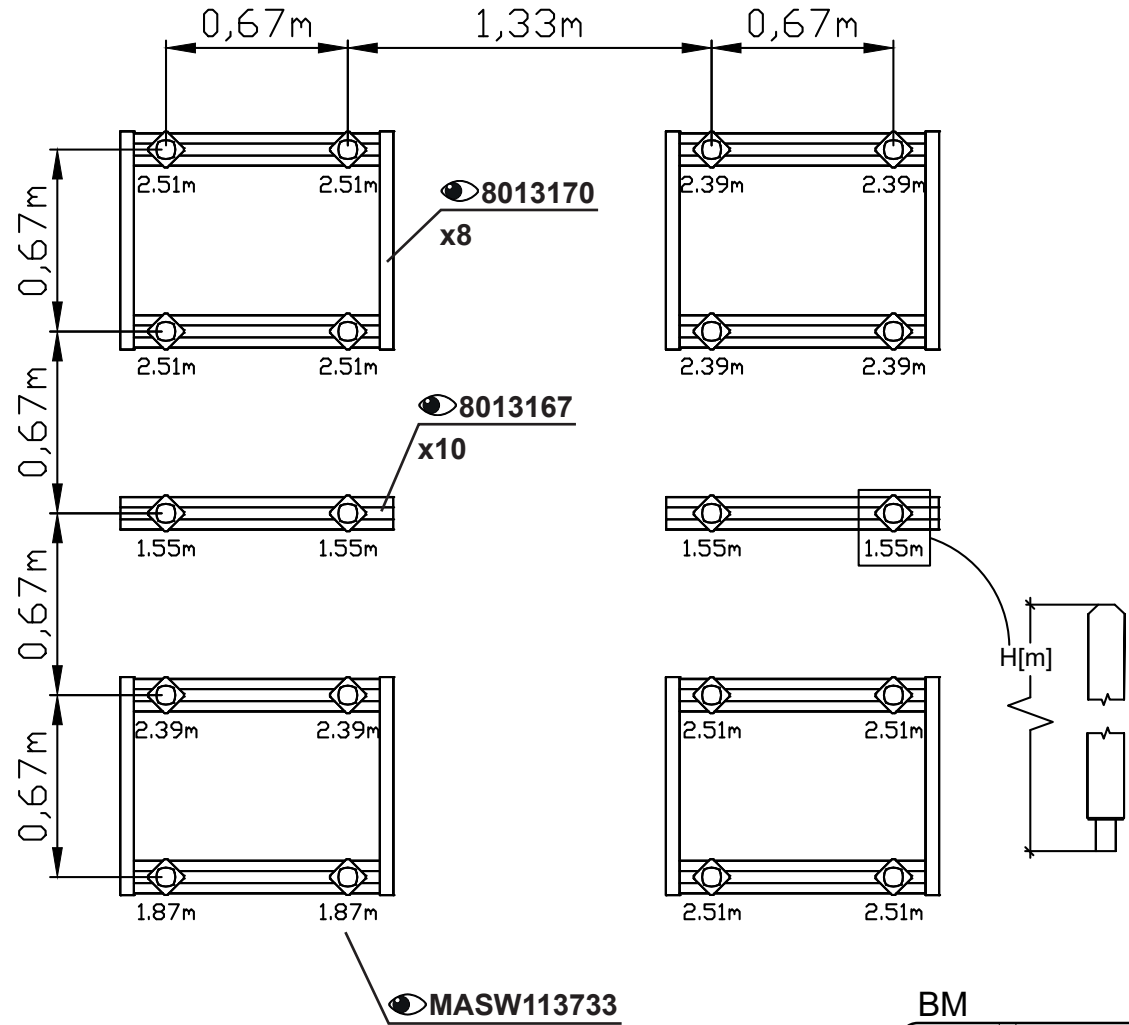
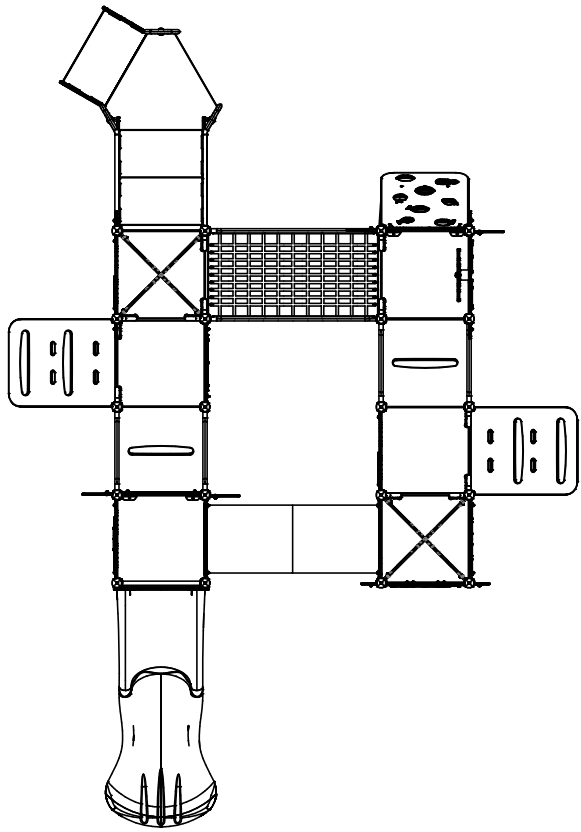
HAGS®

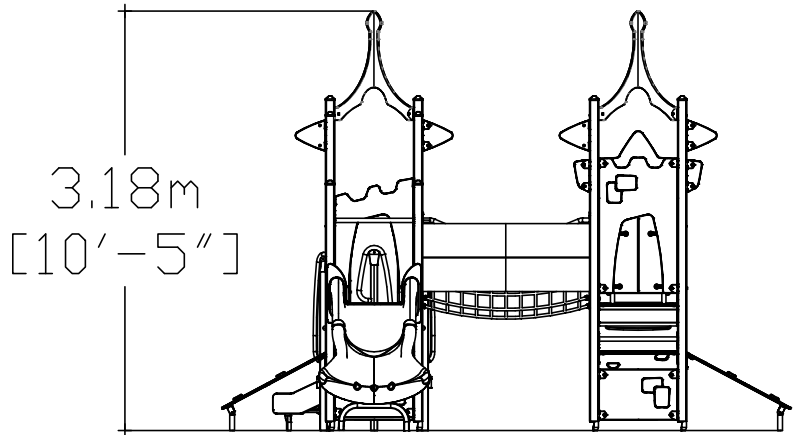
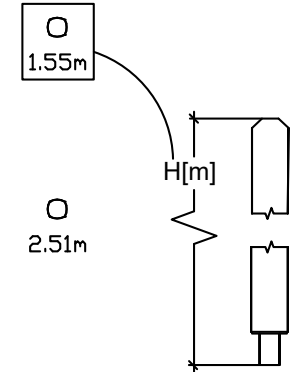
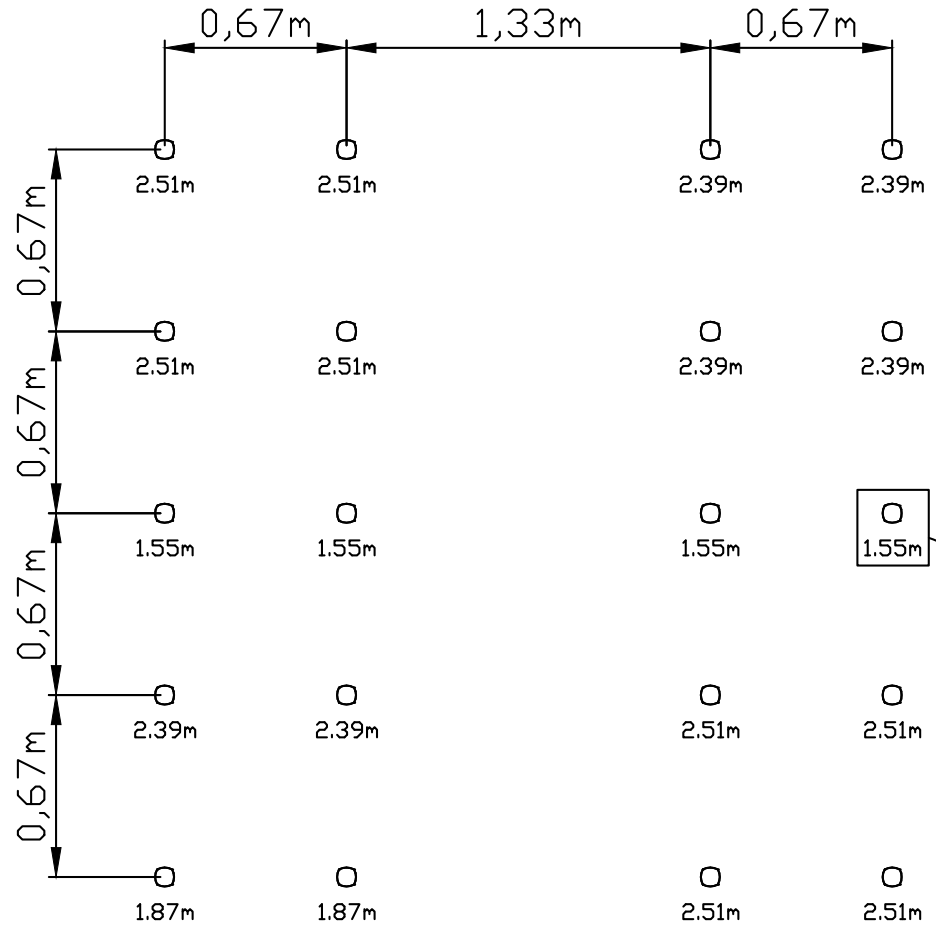
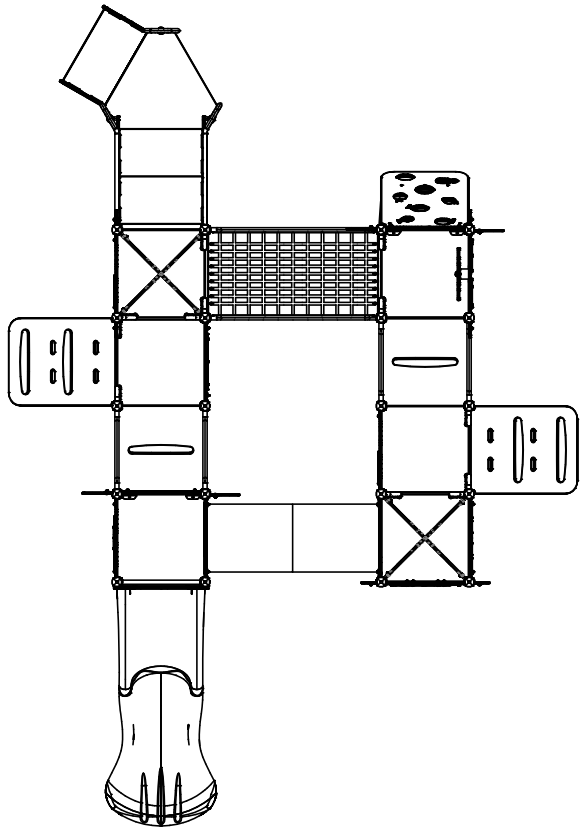
FOR KIDS AGES

2-5

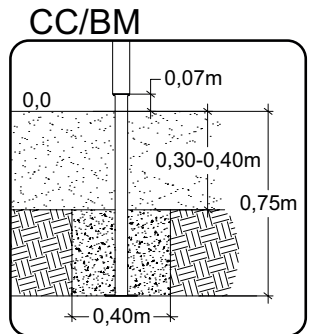
YEARS

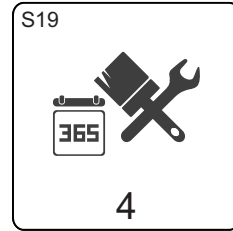
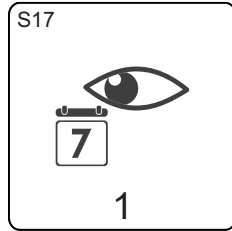
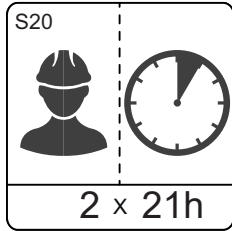
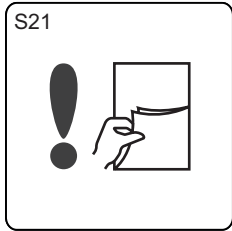
ADULT SUPERVISION RECOMMENDED
www.hags.com





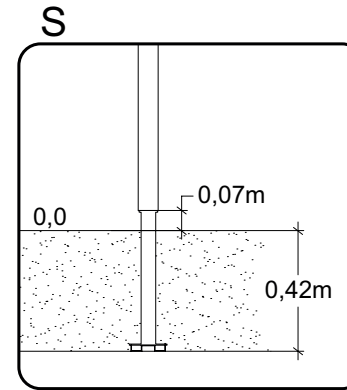
MASW113733



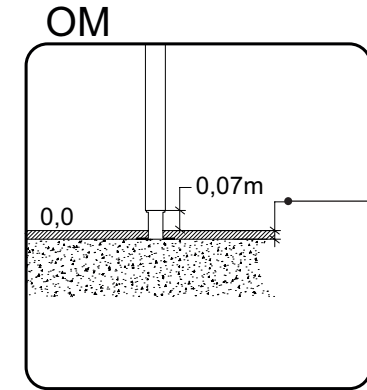


MASW113733

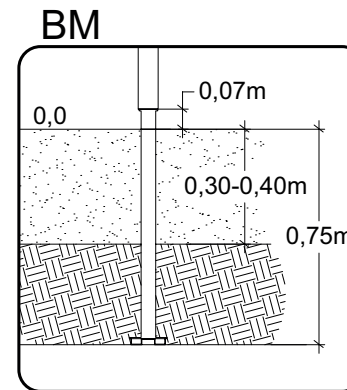
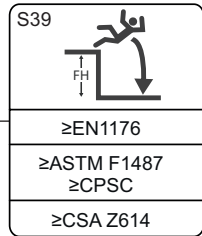
Install 101
6099
6101
260329
612313
631513
638113
655410
676106
MA612110_OM
MA624U675321
MAOM675321
MASW113733
MASW35156
MASW44481
MASW46033
MASW121245
MASW78431
MASW79955
MASW81273
MAUSW117643
MAUSW117644
US612110



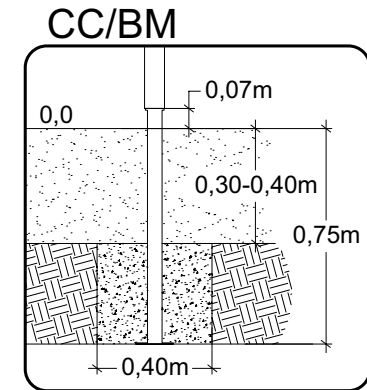
S
Sunken Foundation



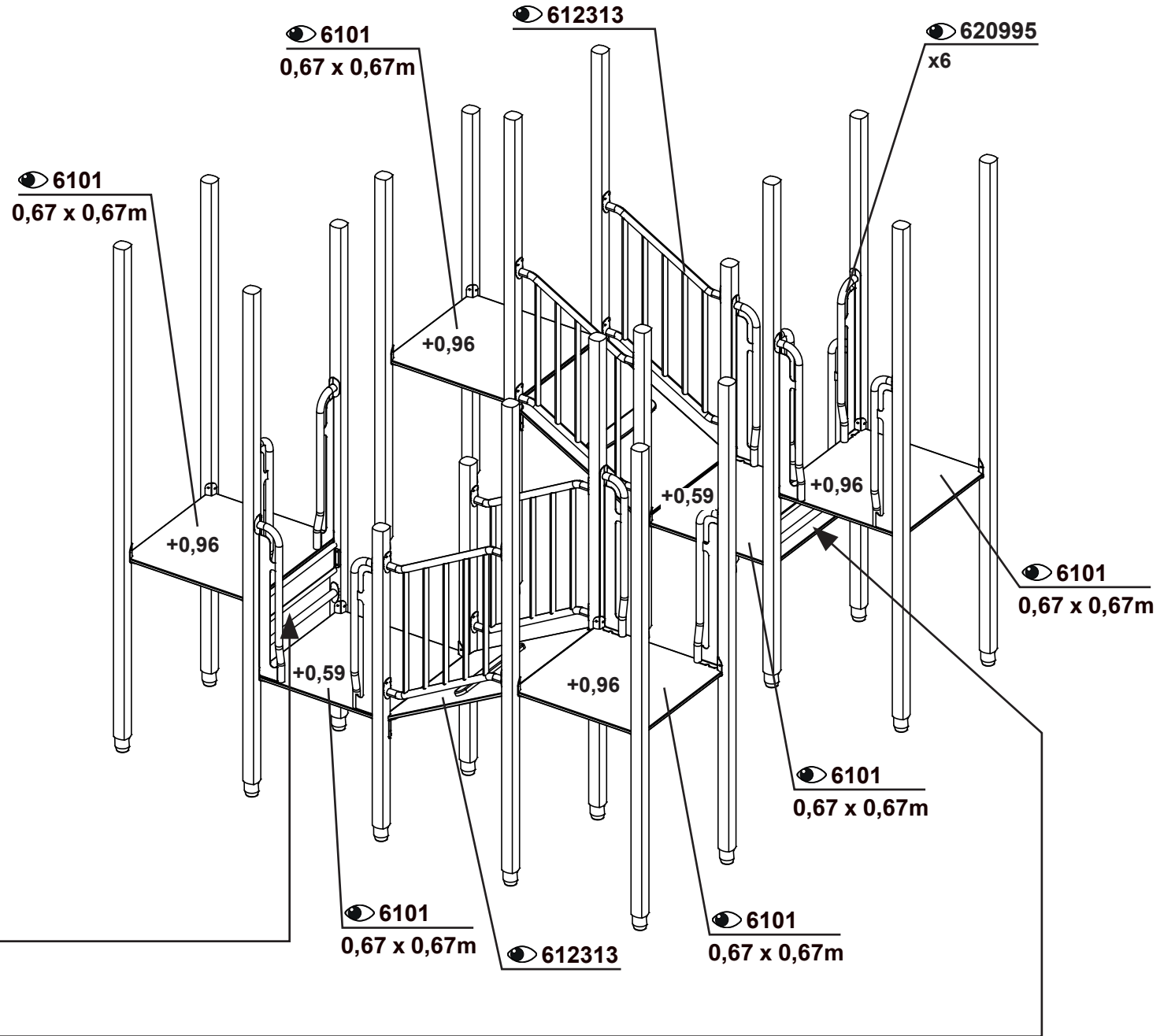
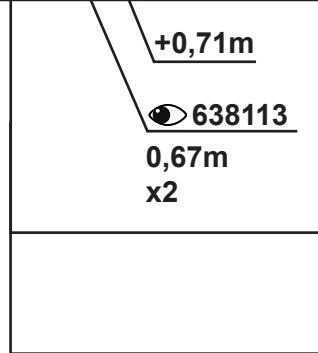
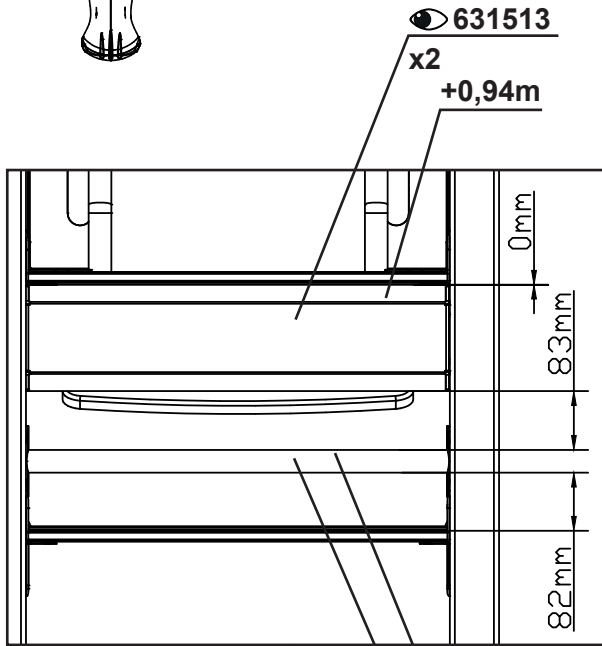
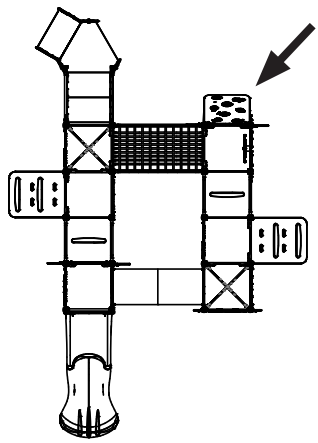
OM
Above Ground

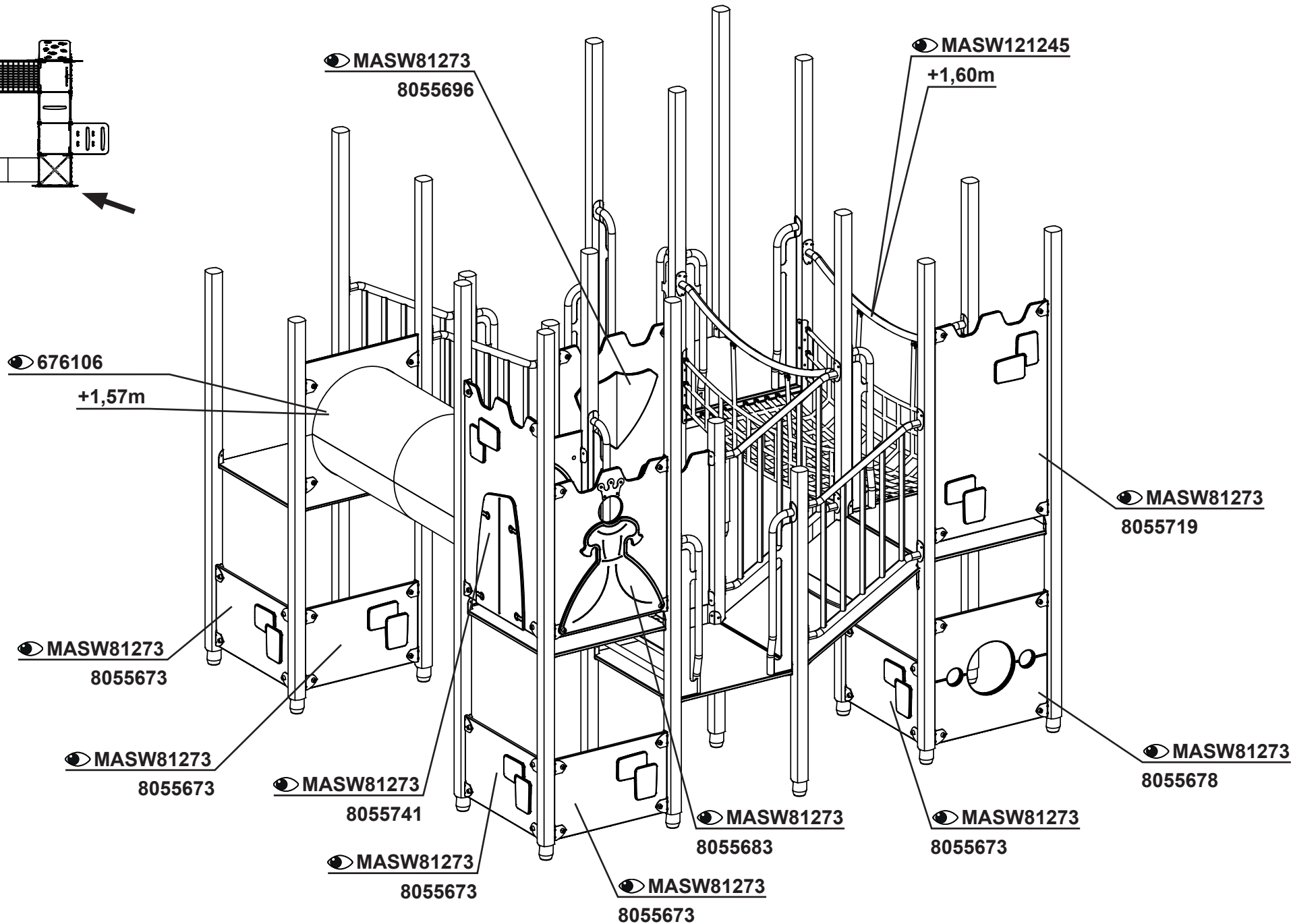
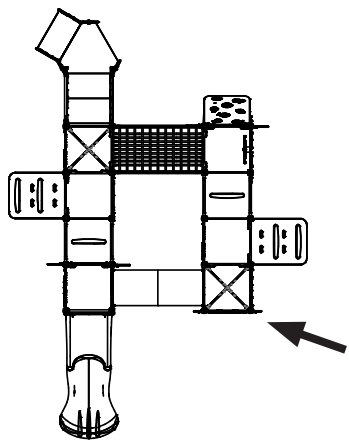


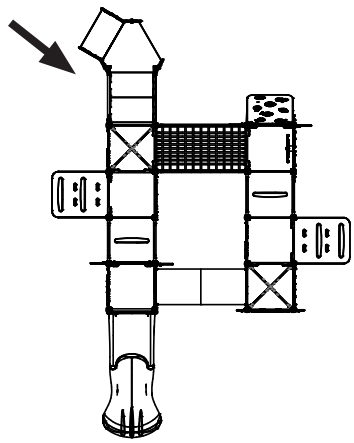
BM
Loosefill
 8111720



CC/BM
Cast Loosefill
 8111720







MASW81273
8055725

MASW81273
8055714

MASW81273
8055734

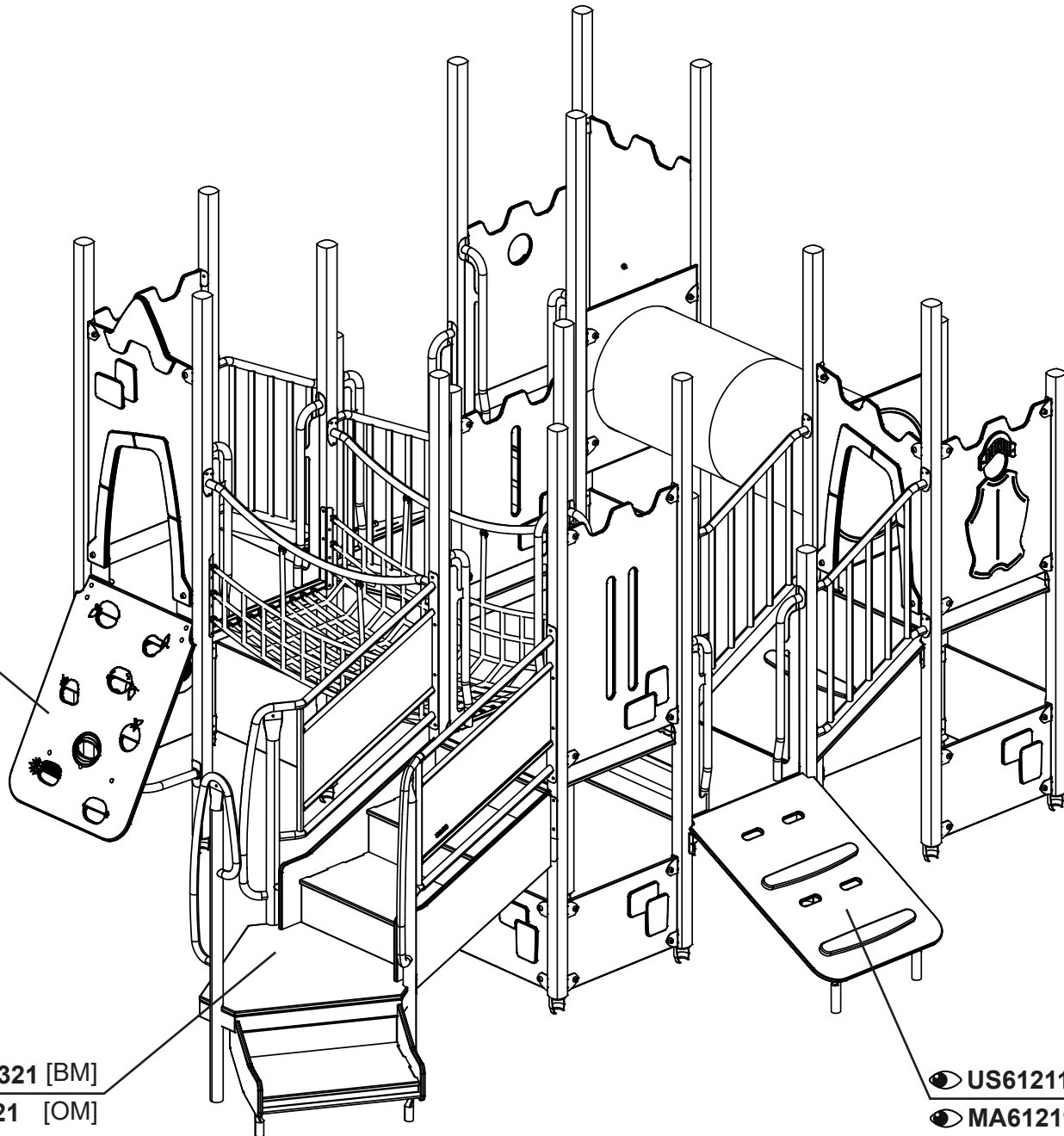
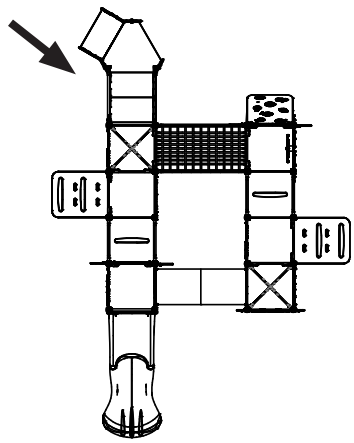
MASW81273
8055685

MASW81273
8055673

MASW81273
8055673

MASW81273
8055673

MASW81273
8055721



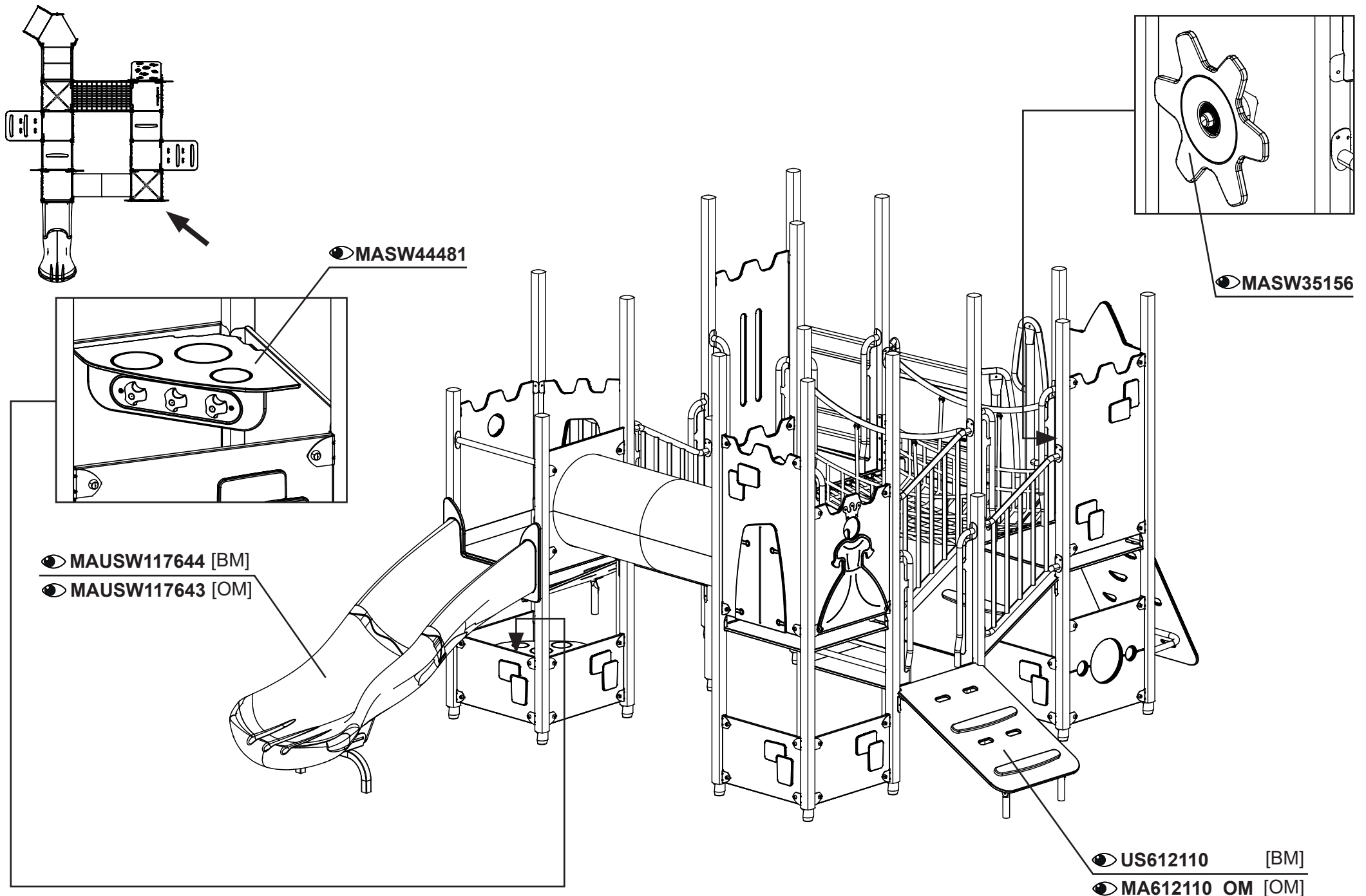
● MASW78431

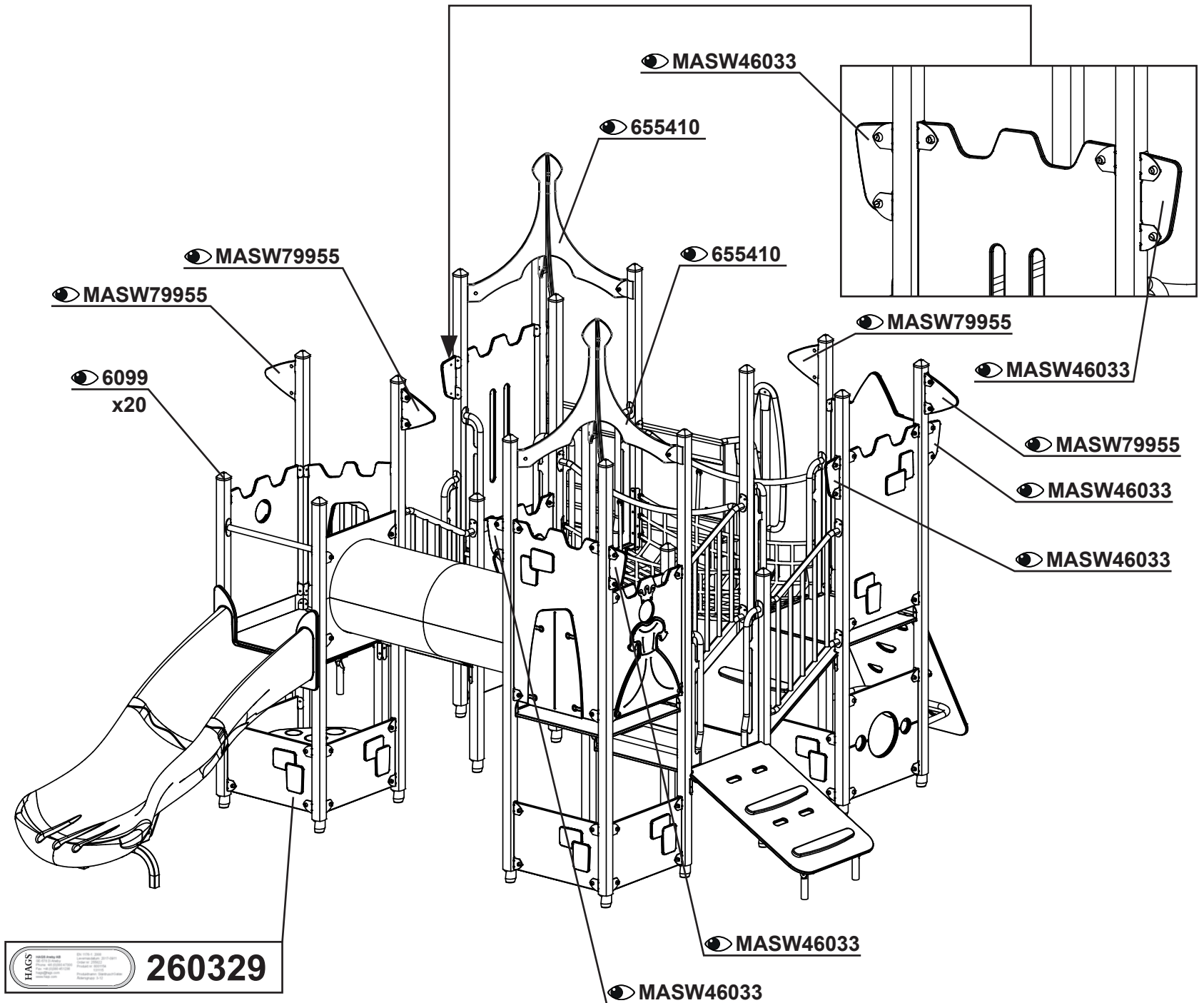
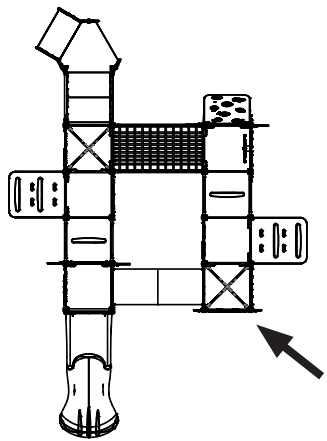
● MA624U675321 [BM]

● MAOM675321 [OM]

● US612110 [BM]

● MA612110_OM [OM]






260329